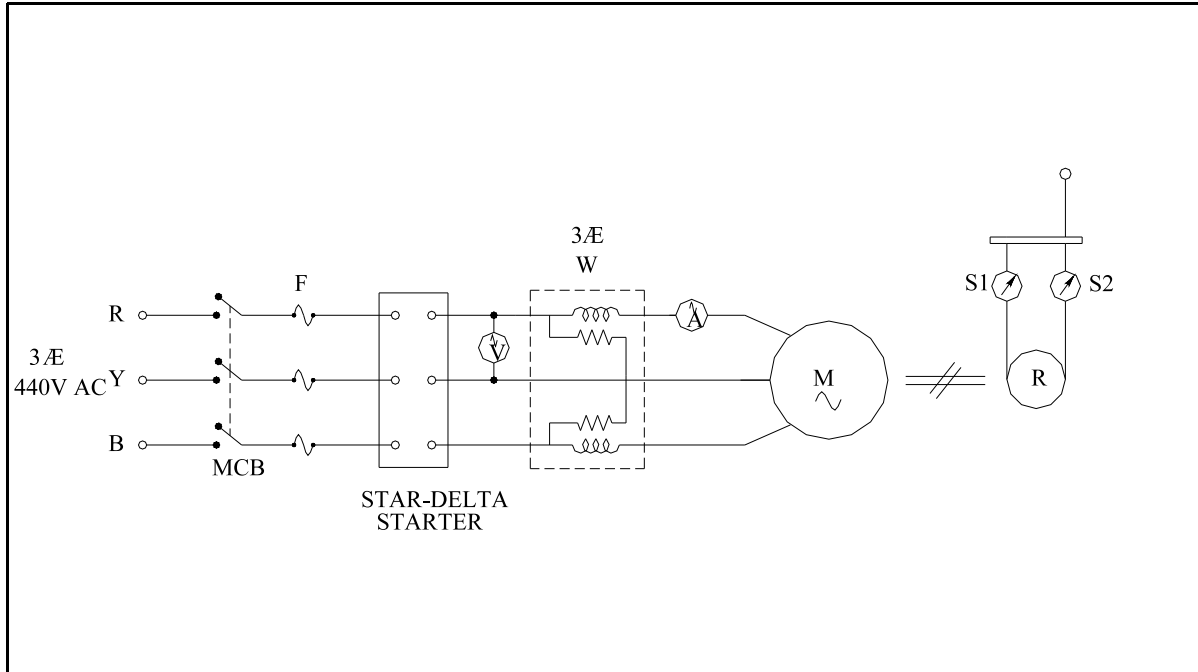


## EXPERIMENT-5:

### LOAD TEST ON 3 PHASE SQUIRREL CAGE INDUCTION MOTOR



#### APPARATUS REQUIRED :

THREE PHASE 5 HP INDUCTION MOTOR SETUP	- 1 Nos
THREE PHASE AC MCB (8A)	- 1 Nos
STAR - DELTA STARTER	- 1 Nos
THREE PHASE WATT METER 500V, 10A, LPF	- 1 Nos
AC VOLTMETER ( 0 - 500)V	- 1 Nos
AC AMMETER ( 0 - 10)A	- 1 Nos
FUSE	- 3 Nos