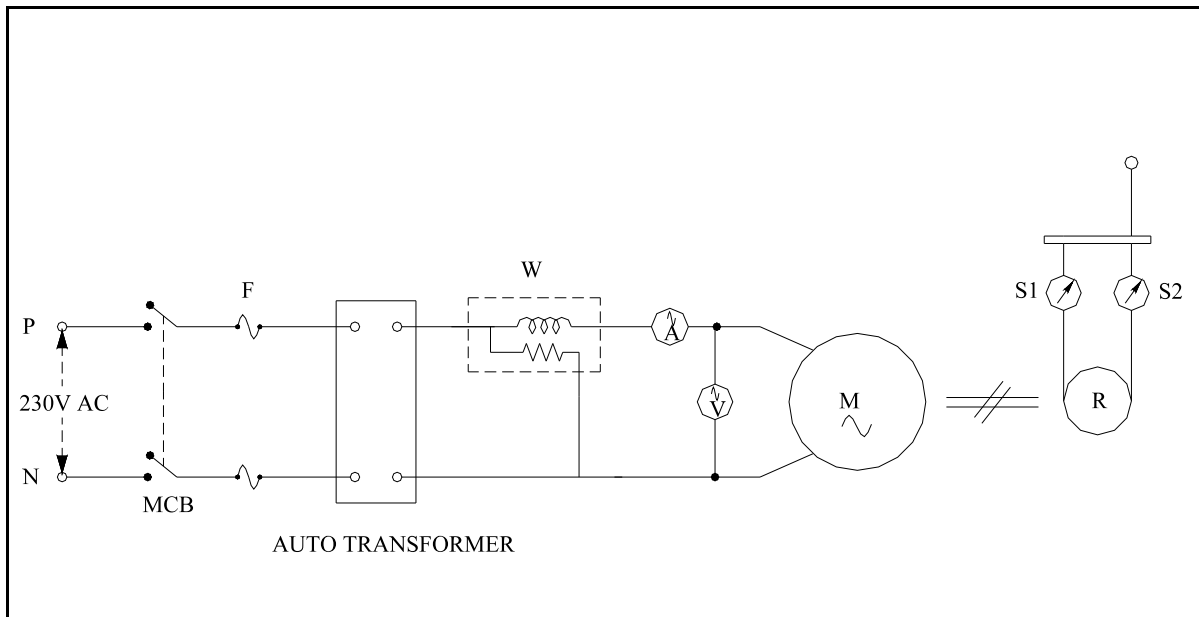


EXPERIMENT-10 LOAD TEST SINGLE PHASE INDUCTION MOTOR



APPARATUS REQUIRED :

3 HP SINGLE PHASE INDUCTION MOTOR SETUP	- 1 Nos
AC MCB (5A)	- 1 Nos
SINGLE PHASE AUTO TRANSFORMER (0 - 230)V	- 1 Nos
WATTMETER 300V, 5A, LPF	- 1 Nos
AC VOLTMETER (0 - 300)V	- 1 Nos
AC AMMETER (0 -5)A	- 1 Nos
FUSE	- 2 Nos