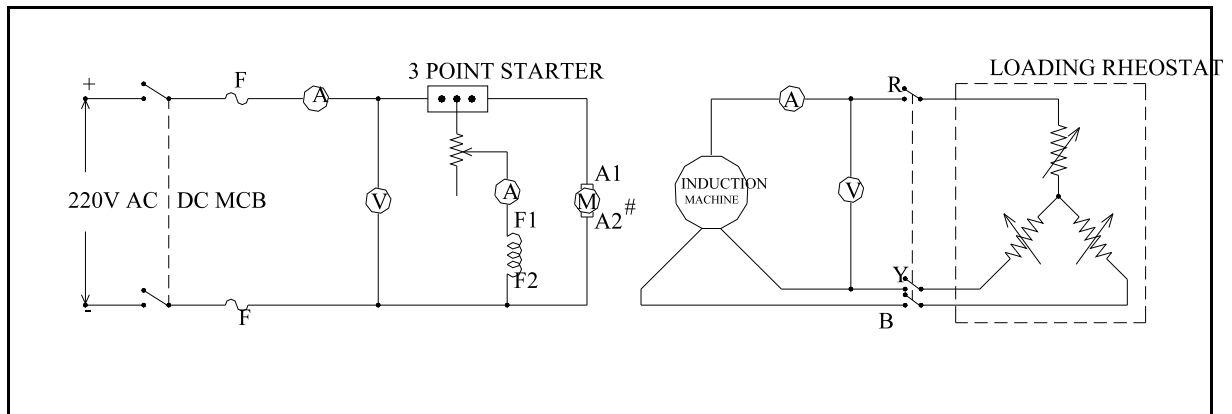


## EXPERIMENT-4: LOAD TEST ON THREE PHASE INDUCTION GENERATOR-



### APPARATUS REQUIRED

6 HP DC SHUNT MOTOR	- 1 Nos
5 HP THREE PHASE SLIP RING INDUCTION MOTOR SETUP	- 1 Nos
3 POINT STARTER	- 1 Nos
DC MCB (25A)	- 1 Nos
RHEOSTAT 220Ω, 2A	- 1 Nos
DC AMMETER (0 - 2)A	- 1 Nos
THREE PHASE AC MCB (12A), (8A)	- 2 Nos
AC VOLTMETER (0 - 500)V	- 1 Nos
AC AMMETER (0 - 12)A	- 1 Nos
THREE PHASE LOADING RHEOSTAT	- 1 Nos
FUSE	- 2 Nos