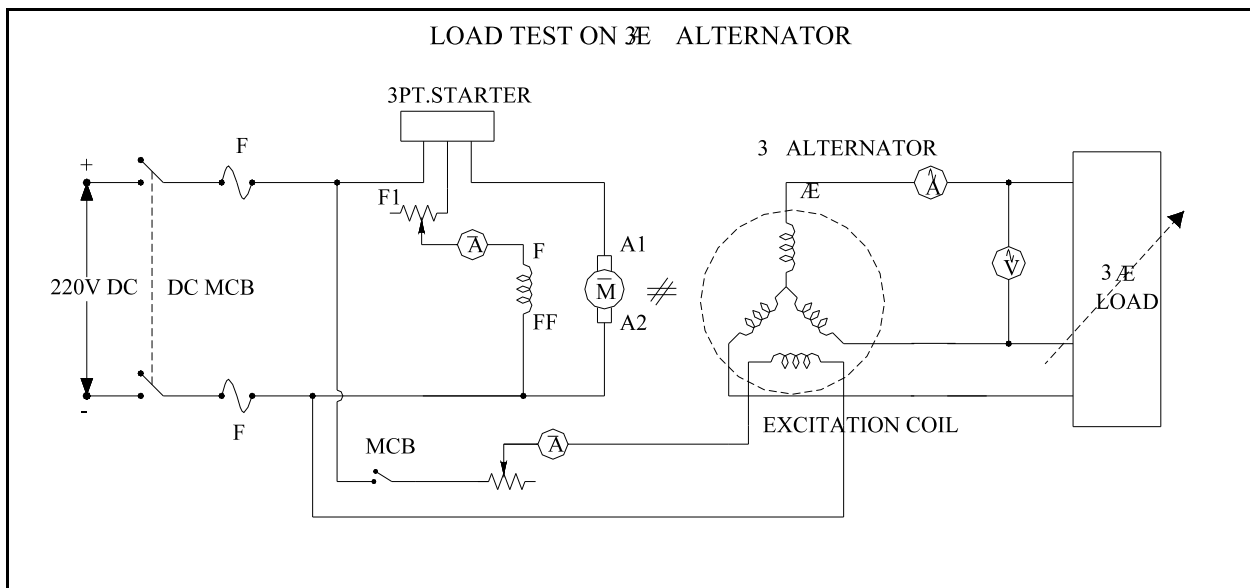


## EXPERIMENT 2 LOAD TEST ON 3 PHASE ALTERNATOR



### APPARATUS REQUIRED :

6 HP DC SHUNT MOTOR	- 1 Nos
5 HP THREE PHASE ALTERNATOR	- 1 Nos
2 POLE DC MCB (25A)	- 1 Nos
1 POLE DC MCB(SPST)	- 1 Nos
3 POINT STARTER	- 1 Nos
RHEOSTAT 220 $\Omega$ , 2A	- 2 Nos
DC AMMETER ( 0 - 2)A	- 2 Nos
AC AMMETER ( 0 - 10)A	- 1 Nos
AC VOLTMETER ( 0 - 500)V	- 1 Nos
THREE PHASE LOADING RHEOSTAT 5KVA	- 1 Nos
FUSE	- 2 Nos